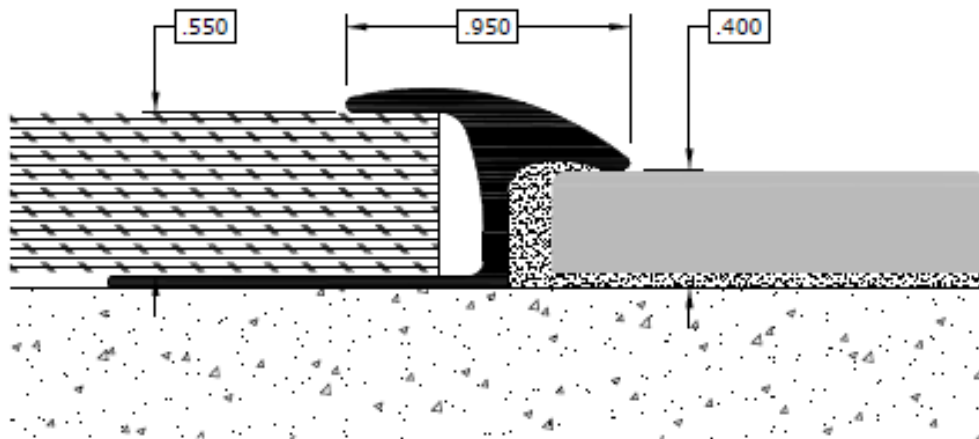




CTC 12 WT

Wood to Tile – 15/16” Reveal

- Designed for wood to tile transitions, can also be used with tile or stone flooring.
- Offers protection for edge of both surfaces.
- Available in Silver anodized, Bronze, and Matte Black finishes.
- Only available to accommodate 1/2” wood, tile, or stone.



Installation Instructions

- Adhere perforated leg to sub-floor with wood or construction adhesive. For stone or tile installation, set perforated leg with thin set.
- Install wood over leg – tuck under the overhang, leaving space for expansion of the wood.
- Install tile on opposite side – tuck underneath the overhang.

BUFFALO



STONE®

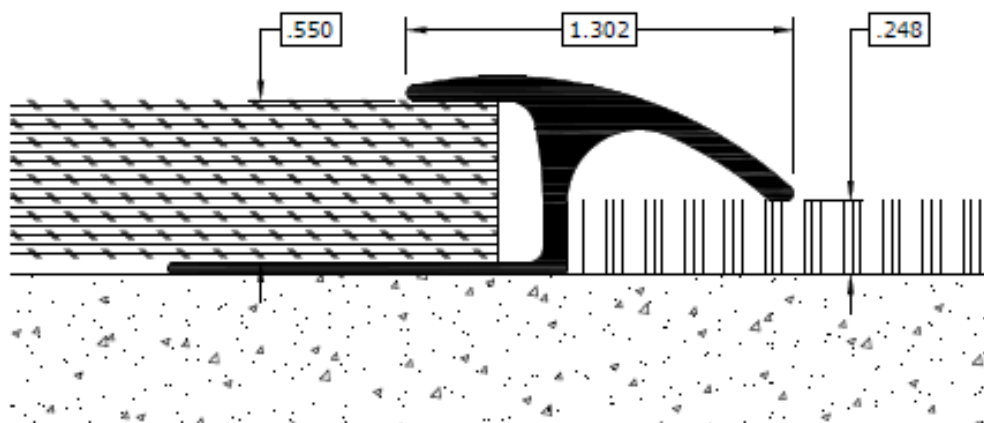
Featuring
Buffalo Stone Products



CTC 12 WC

Wood to Carpet – 1-15/16” Reveal

- Designed for wood to glue down carpet transitions, can also be used with tile or stone flooring.
- Offers protection for edge of both surfaces.
- Available in Silver anodized, Bronze, and Matte Black finishes.
- Only available to accommodate 1/2” wood, tile, or stone.



Installation Instructions

- Adhere perforated leg to sub-floor with wood or construction adhesive. For stone or tile installation, set perforated leg with thin set.
- Install wood over leg – tuck under the overhang, leaving space for expansion of the wood.
- Install carpet on opposite side – tuck underneath the overhang.

