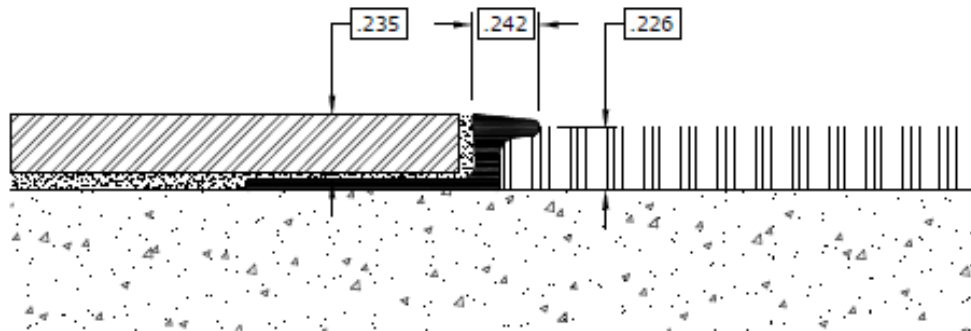




## CTC 14 CT - Carpet Trim

### 1/4" REVEAL

- Gentle slope provides a smooth transition.
- Can be used with vinyl, stone, tile or wood floors.
- Overhang prevents frayed carpet edges.



### Installation Instructions

- Adhere perforated leg to sub-floor with hard flooring adhesive.
- Cover entire leg with adhesive and set tile or wood flush with top of carpet trim.
- Leave up to a 1/16" joint along the edge and grout as usual.
- Carpet should be tucked under the overhang when installed.

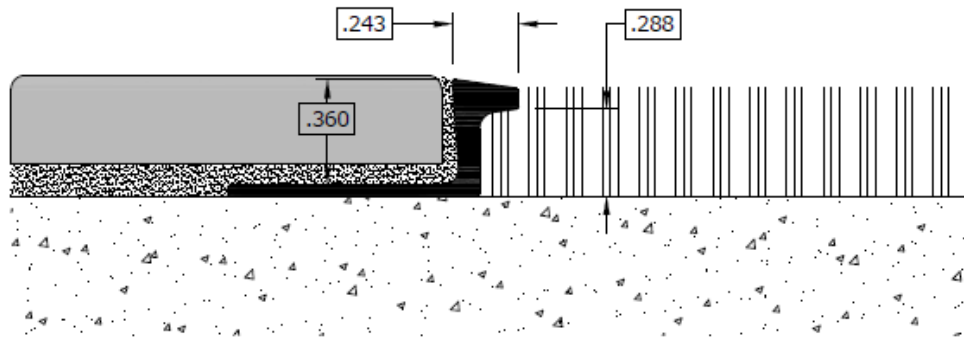




## CTC 1132 CT

### 1/4" REVEAL

- Gentle slope provides a smooth transition.
- Can be used with vinyl, stone, tile or wood floors.
- Overhang prevents frayed carpet edges.



### Installation Instructions

- Adhere perforated leg to sub-floor with hard flooring adhesive.
- Cover entire leg with adhesive and set tile or wood flush with top of carpet trim.
- Leave up to a 1/16" joint along the edge and grout as usual.
- Carpet should be tucked under the overhang when installed.

BUFFALO



STONE®

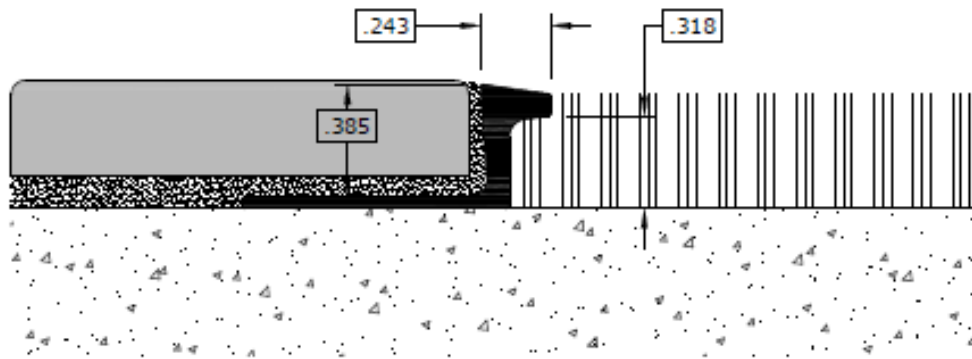
Featuring  
Buffalo Stone Products



## CTC 38 CT

### 1/4" REVEAL

- Gentle slope provides a smooth transition.
- Can be used with vinyl, stone, tile or wood floors.
- Overhang prevents frayed carpet edges.



### Installation Instructions

- Adhere perforated leg to sub-floor with hard flooring adhesive.
- Cover entire leg with adhesive and set tile or wood flush with top of carpet trim.
- Leave up to a 1/16" joint along the edge and grout as usual.
- Carpet should be tucked under the overhang when installed.

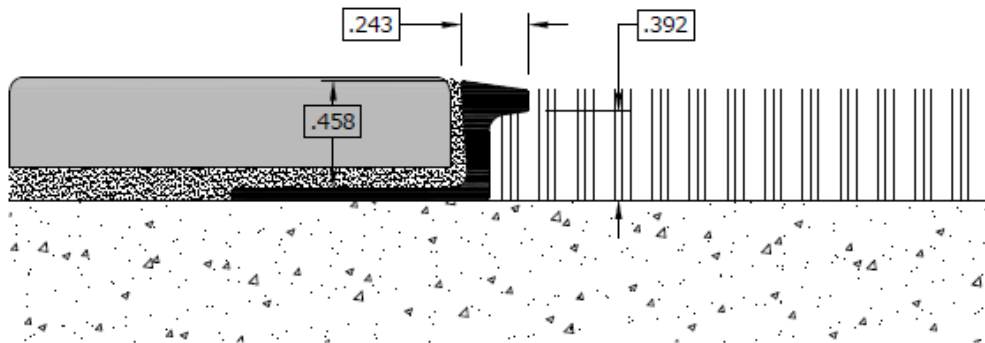




## CTC 716 CT

### 1/4" REVEAL

- Gentle slope provides a smooth transition.
- Can be used with vinyl, stone, tile or wood floors.
- Overhang prevents frayed carpet edges.



### Installation Instructions

- Adhere perforated leg to sub-floor with hard flooring adhesive.
- Cover entire leg with adhesive and set tile or wood flush with top of carpet trim.
- Leave up to a 1/16" joint along the edge and grout as usual.
- Carpet should be tucked under the overhang when installed.

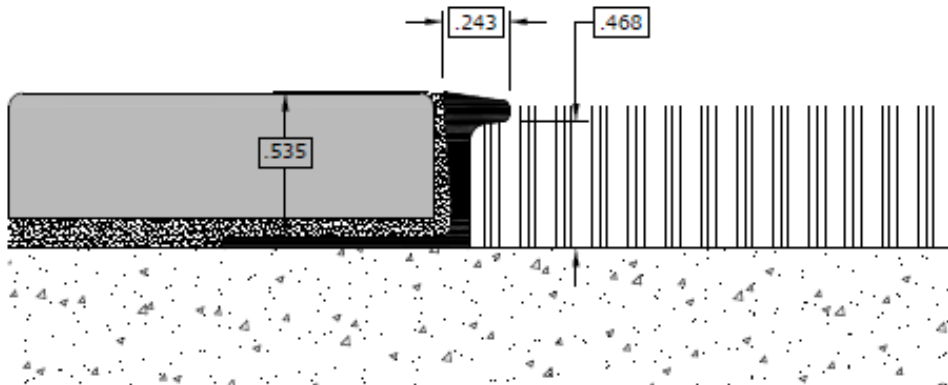




## CTC 12 CT

### Carpet Trim - 1/4" REVEAL

- Gentle slope provides a smooth transition.
- Can be used with vinyl, stone, tile or wood floors.
- Overhang prevents frayed carpet edges.



### Installation Instructions

- Adhere perforated leg to sub-floor with hard flooring adhesive.
- Cover entire leg with adhesive and set tile or wood flush with top of carpet trim.
- Leave up to a 1/16" joint along the edge and grout as usual.
- Carpet should be tucked under the overhang when installed.

